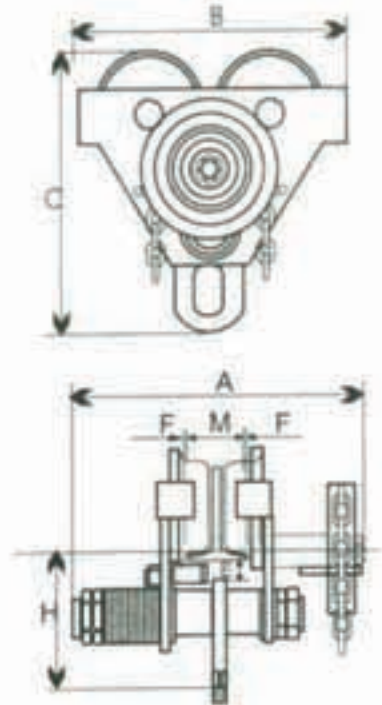
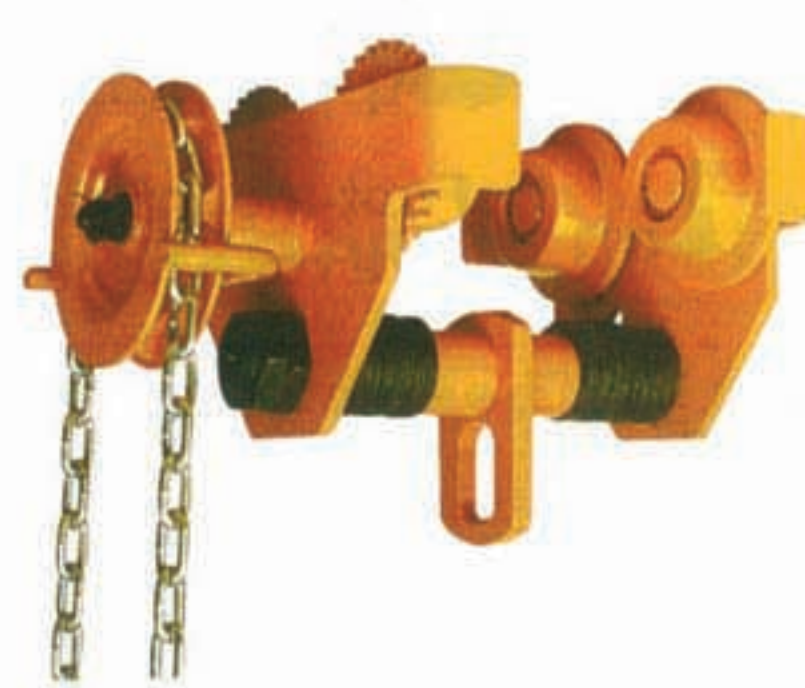
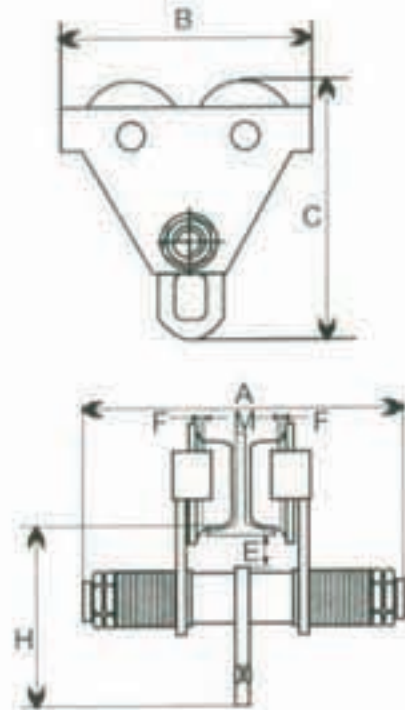


Trolley

- Adjustable to any beam width, simply by adjusting the number of collars.
- The wheels are made to fit any shape of a beam.
- High grade sealed ball bearings.
- With anti-drop plates.
- For geared trolley, the standard operating length is 3m, other length is available upon request.

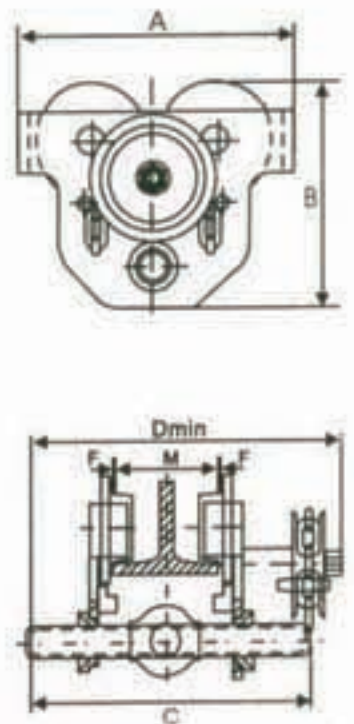
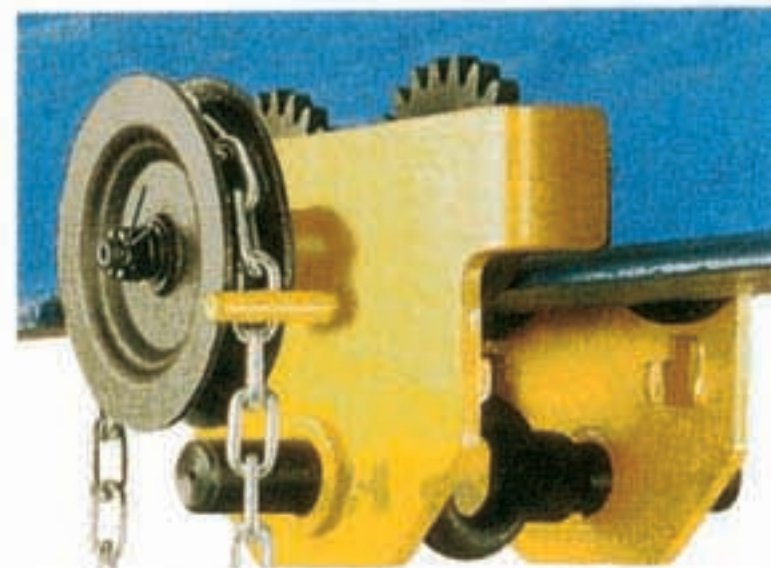
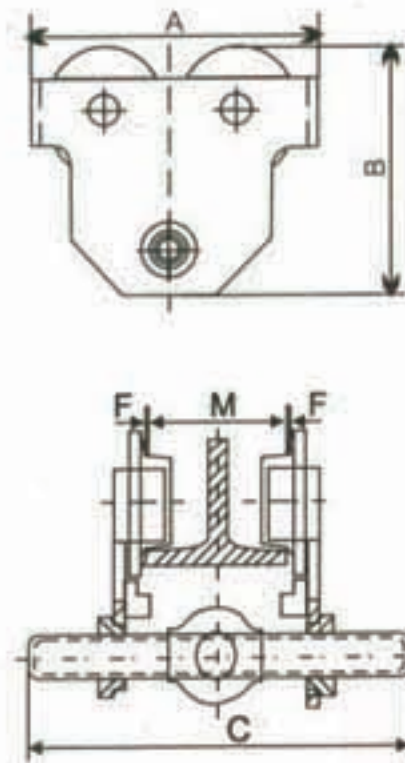
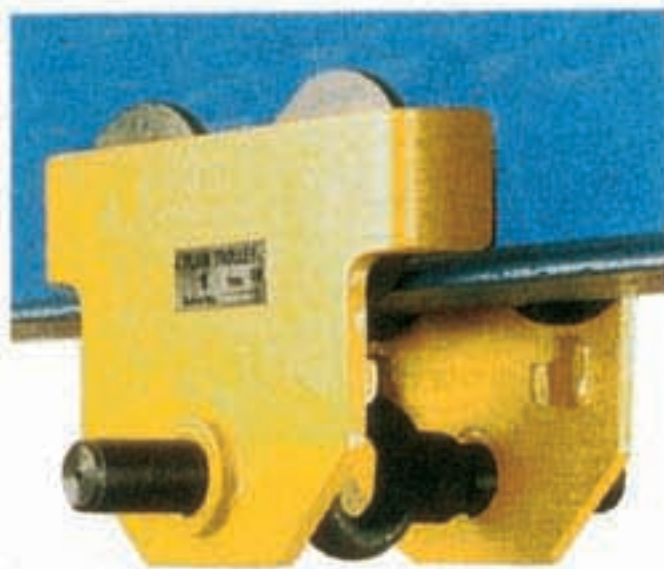


Plain Trolley

Model	GCT-0.5	GCT-1	GCT-2	GCT-3	GCT-5	GCT-10	
Capacity(T)	0.5	1	2	3	5	10	
Test load(KN)	7.35	14.71	29.42	44.13	61.29	122.58	
Min radius of curve(m)	0.9	1.0	1.1	1.3	1.4	1.7	
Dimensions mm	A	264	332	353	371	430	
	B	216	260	300	345	390	470
	C	195	239	286	336	393	500
	H	110	135	161	185	220	280
	F			≈3			
I-Beam mm	M	64-152	64-203	88-203	102-203	114-203	125-203
	Emin	12	10.5	9	13	15	23
Net weight kg	8	14	22	39	50	97	
Carton cm	22x8x30	26x10x33	36x14x28	37x37x28	45x40x32	52x45x40	

Geared Trolley

Model	GCL-1	GCL-2	GCL-3	GCL-5	GCL-10	
Capacity(T)	1	2	3	5	10	
Test load(KN)	14.71	29.42	44.13	61.29	122.58	
Running Height(m)	3					
Chain pull to lift full load(KN)	80	150	120	160	340	
Min radius of curve(m)	1.0	1.1	1.3	1.4	1.7	
Dimensions mm	A	390	405	438	450	490
	B	260	300	345	390	470
	C	239	286	336	393	500
	H	135	161	185	220	280
	F			≈3		
I-Beam mm	M	64-203	88-203	102-203	114-203	125-203
	Emin	10.5	9	13	15	23
Net weight kg	17.5	25.5	45	57	103	
Extra weight per meter of extra lift kg	≈1					
Carton cm	40x30x22	40x32x23	47x38x28	48x40x32	53x52x40	



Plain Trolley

Model		GCT-0.5C	GCT-1C	GCT-2C	GCT-3C	GCT-5C	
Capacity(Kg)		500	1000	2000	3000	5000	
Test load(KN)		7.35	14.71	29.42	44.13	61.29	
Min. radius of curve(M)		0.9	1.0	1.2	1.3	1.4	
Dimensions mm	A	225	252	300	360	392	
	B	176.5	188	226	290	313	
	C	a	292	300	310	324	329
		b	377	385	395	409	414
	F			≈3			
Adjustable Beam Width mm	M	a	64~220	64~220	88~220	102~220	114~220
		b	160~305	160~305	160~305	160~305	160~305
Net weight kg	a	8.3	10.9	18.2	31.4	42.6	
	b	8.7	11.4	19	32.5	44	
Carton cm	a	28.5x8.5x33.5	28.5x8.5x33.5	33.5x15x25	40x34x33	45x36x36	
	b	28.5x8.5x42	28.5x8.5x42	42x15x25	40x42x33	45x36x44	

Geared Trolley

Model		GCL-0.5C	GCL-1C	GCL-2C	GCL-3C	GCL-5C	
Capacity(Kg)		500	1000	2000	3000	5000	
Test load(KN)		7.35	14.71	29.42	44.13	61.29	
Min. radius of curve(M)		0.9	1.0	1.2	1.3	1.4	
Chain pull to lift full load(N)		45	80	150	120	160	
Running height(M)		3					
Dimensions (mm)	A	225	252	300	360	392	
	B	173	188	226	290	313	
	C	a	292	300	310	324	329
		b	377	385	395	409	414
	Dmin	a	292.5	302.5	319.5	354	365
		b	383	393	398	425.5	430.5
F			≈3				
Net weight kg	a	13.3	15.9	23.2	37.7	48.9	
	b	13.7	16.4	24	38.8	50.3	
Carton cm	a	33x29x24.5	33x29x24.5	38.5x33x29	39x38x35	46.5x39x37	
	b	42x29x24.5	42x29x24.5	46x33x29	46x38x35	53x39x37	