

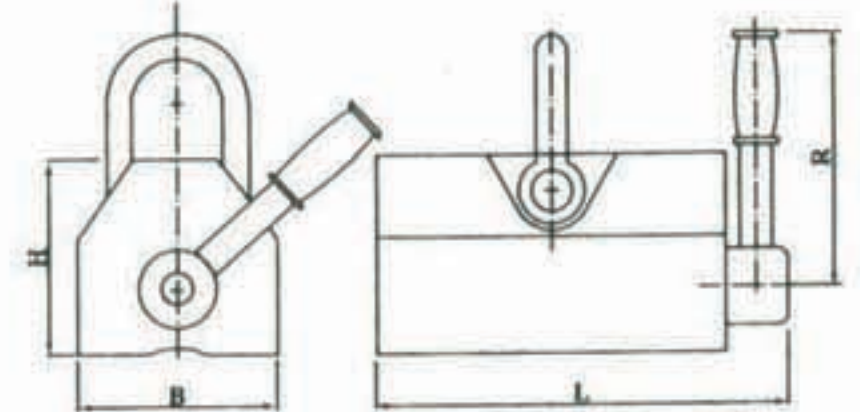
Permanent Magnetic Lifting



Permanent Magnetic Lifting

- High safety factor.
- Good air gap feature, the rated plain load could still be attracted up even if the gap is smaller than 0.5mm.
- Easy operating long term attractive force stability.
- It is suitable for transporting the roll steel, pipe materials or the workpieces in round shape.

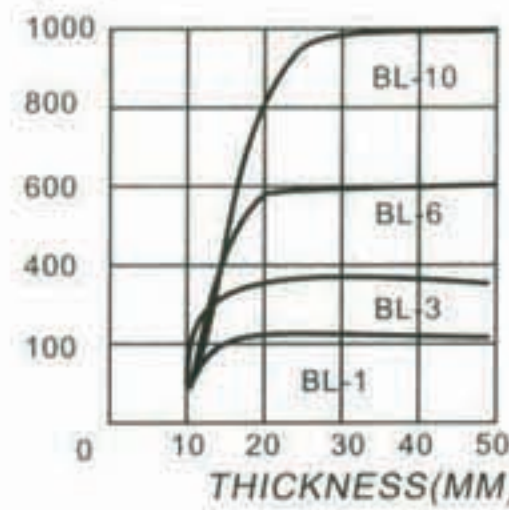
**Safety factor
3.5 times**



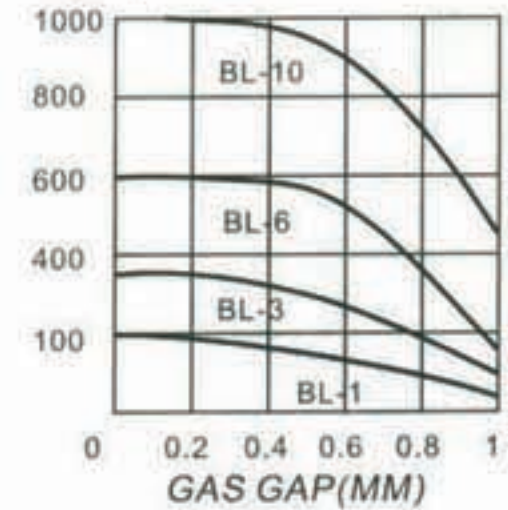
Permanent magnetic lifting

	Rated Lifting Capacity KG	DIMENSIONS (mm)				(GW) kg
		L	B	H	R	
PML-A	100	130	60	120	160	2.8
	300	210	95	180	190	11
	600	265	115	220	245	17.5
	1000	325	145	250	310	37.5
PML-C	2000	500	185	185	450	90
	3000	555	200	196	500	120
	5000	680	335	550	1250	395
	6000	680	335	550	1250	400

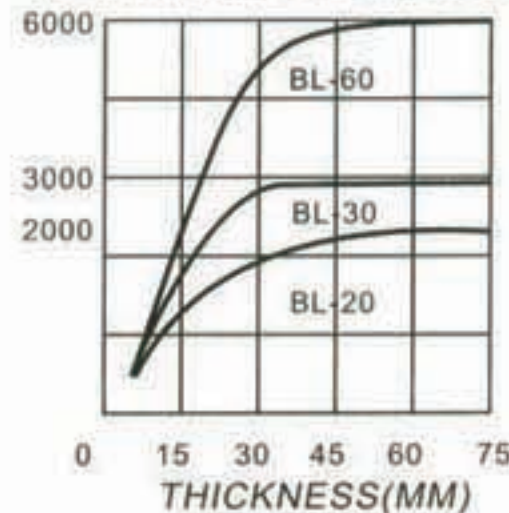
(KG)THICKNESS-CAPACITY



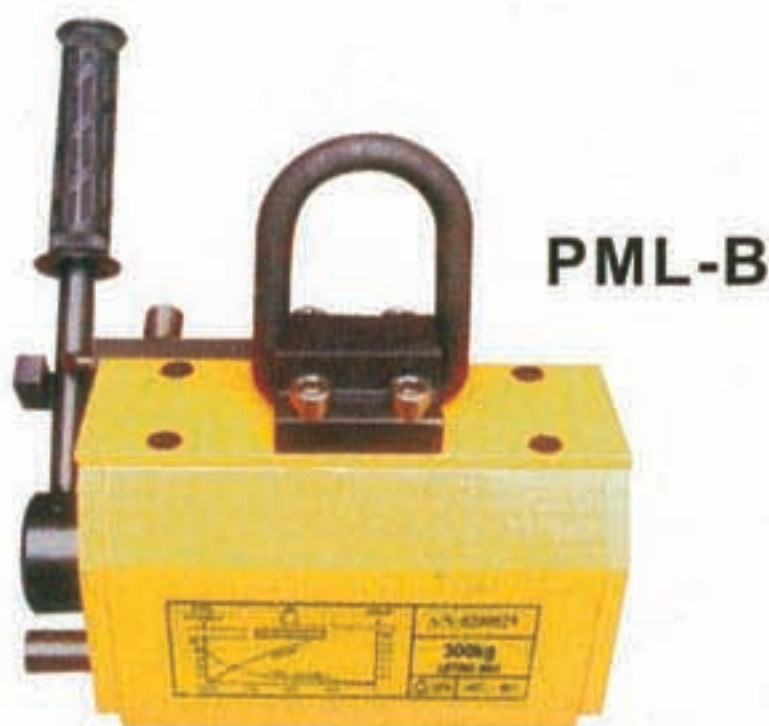
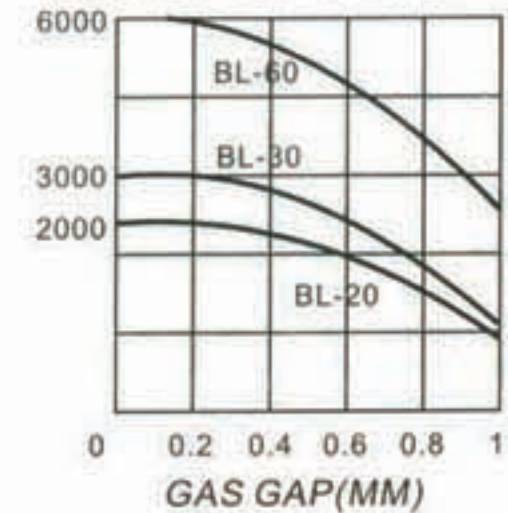
(KG)GAS GAP-CAPACITY



(KG)THICKNESS-CAPACITY



(KG)GAS GAP-CAPACITY



Permanent magnetic lifting

	Rated Lifting Capacity KG	DIMENSIONS (mm)				(GW) kg
		L	B	H	R	
PML-B	100	122	69	185	160	6
	300	192	95	225	250	15.5
	500	232	120	270	250	29.5
	800	302	154	320	450	53
	1000	332	154	320	450	60
	1500	382	170	370	450	88
	2000	392	196	420	450	126
	3000	447	220	453	600	195



Permanent magnetic lifting

Model	CD-500	CD-1000	CD-2000
Cap. (kg)	550	1000	2000
LxWxH (mm)	335x168x191	315x270x210	450x340x235
N.G. (kg)	15	31	50
Carton Size (cm)	43x23x21	37x33x23	55x41x21